

THIS DRAWING IS UNPUBLISHED. RELEASED FOR PUBLICATION
 © COPYRIGHT BY TYCO ELECTRONICS CORPORATION. ALL RIGHTS RESERVED.

LOC		DIST		REVISIONS			
P	LTR	DESCRIPTION		DATE	DWN	APVD	
CM	00	H	REVISED PER	0G3B-0888-03	29-JAN-04	SH DC	

D

D

C

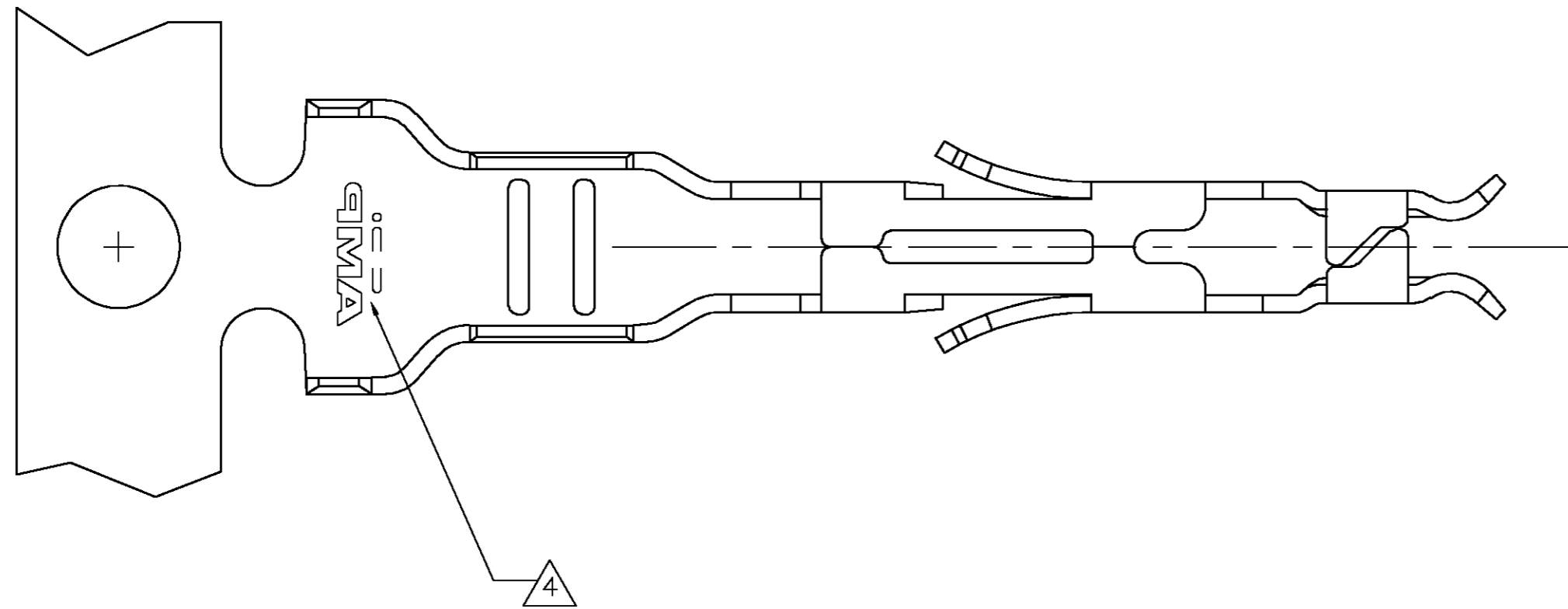
C

B

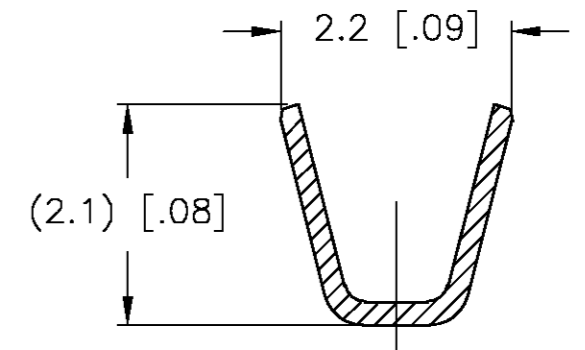
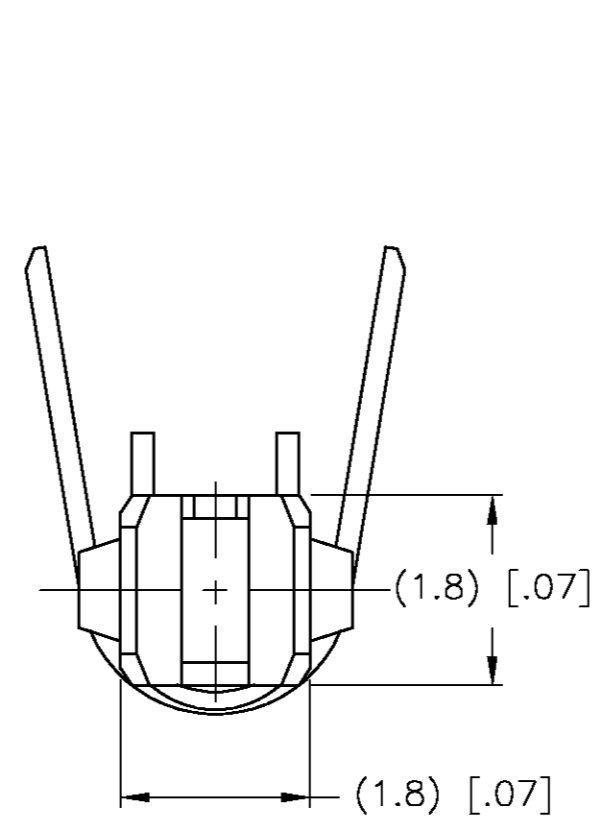
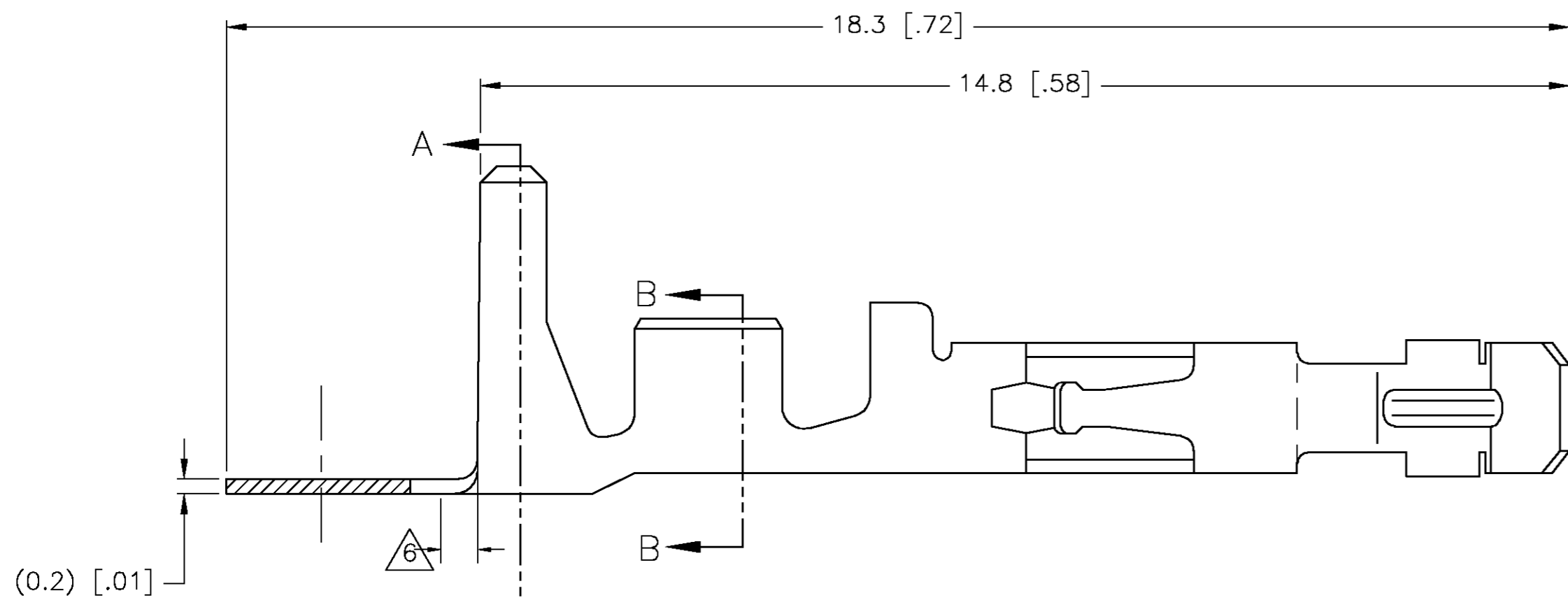
B

A

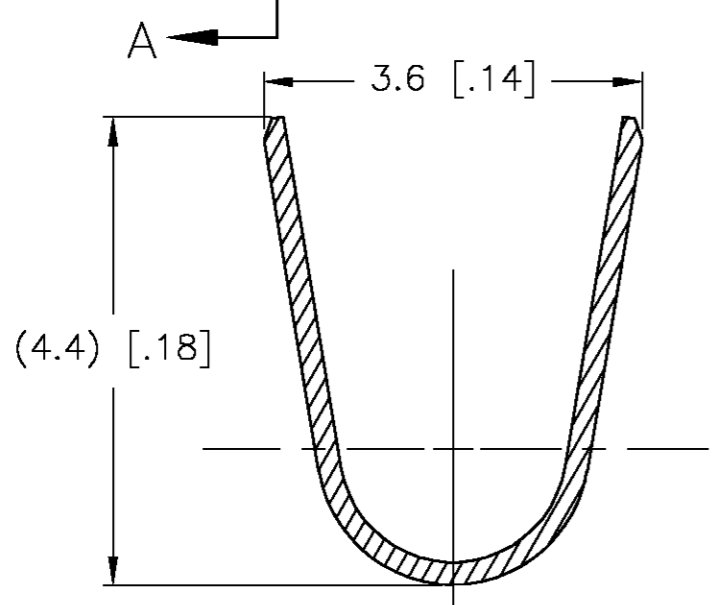
A



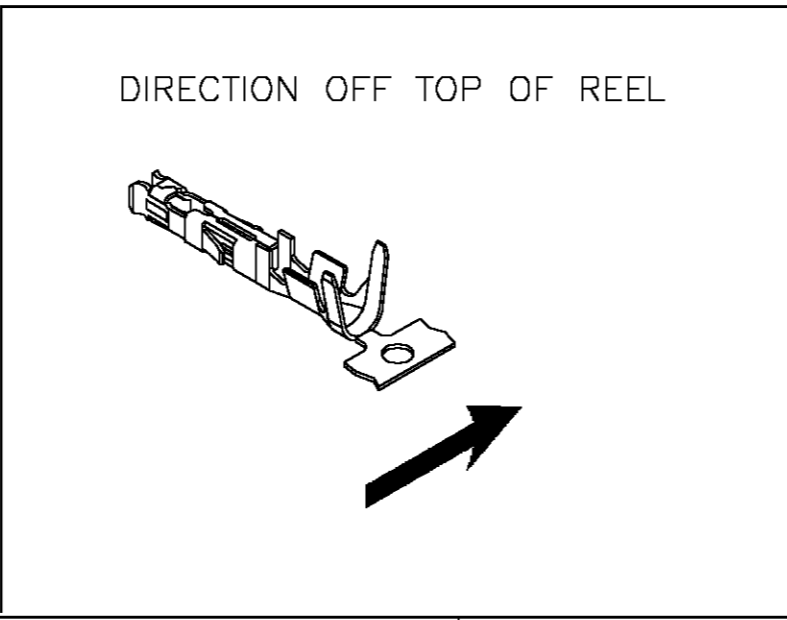
1. HAND TOOL PART NUMBER 734202-2.
2. EXTRACTION TOOL PART NUMBER 188688-1
3. LOOSE PIECE CONTACT
4. AMP TRADEMARK
5. MATERIAL PHOSPHOR BRONZE PRETINNED 1-3μm
6. CUT OFF DIMENSION FOR LOOSE PIECE CONTACT 0.5 [.02] MAXIMUM.
7. WIRE RANGE: 0.30-0.87mm² [.012-.034in²], (18-22 AWG).
8. INSULATION RANGE: 1.50-2.40 [.059-.094] DIAMETER.



SECTION B-B
SCALE 14:1



SECTION A-A
SCALE 14:1



METRIC

THIS DRAWING IS A CONTROLLED DOCUMENT.

DIMENSIONS: mm [INCHES]	TOLERANCES UNLESS OTHERWISE SPECIFIED: 0 PLC ± 1 PLC ± 2 PLC ± 0.10 [.004] 3 PLC ± 4 PLC ± ±
MATERIAL SEE CHART	FINISH SEE CHART

3	PRETINNED	PHOSPHOR BRONZE	1-106529-2
	PRETINNED	PHOSPHOR BRONZE	106529-2
	FINISH	MATERIAL	PART NUMBER

DWN S. HOOVER 29-JAN-2004	Tyco Electronics Corporation Harrisburg, Pa 17105-3608	
CHK D. COLEY 29-JAN-2004	NAME	
APVD D. COLEY 29-JAN-2004	SOCKET CONTACT AMP-DUAC™	
PRODUCT SPEC	APPLICATION SPEC	RESTRICTED TO
WEIGHT	SIZE A2	CAGE CODE 00779
CUSTOMER DRAWING	DRAWING NO G-106529	SCALE 14:1
	SHEET 1 OF 1	REV H